



ZG-dSVG



V1.2

&\$% \$%

N ! XGJ;

N ! XGJ;

N ! XGJ;

%	%
% %	%
&	(
&" %	(
&" &	(
&"')
&" (.....	*
'	+
' "%	+
' "&	\$\$
(.....)
(" %)
(" &)
("'	+)
)	%
)" %	%
)" &	%
)"'	%
)" (.....	\$\$
*	&%)
*" %	&%)
*" &	&&
*"'	&'
*" (.....	&(
+	&)
,	&
, "%	&
, "&	&
, "'	&
, "(.....	&
, ")	&-

¥
¥
¥
¥

%'%' (

¥
¥
¥
¥
¥

¥
¥
¥
¥
¥) ()^{c7}

%'%)

¥
¥ '\$
¥

¥

¥

¥

2

- () ag
-) 0 %
- * GJ; 2--%
- + 0%\$\$\$a

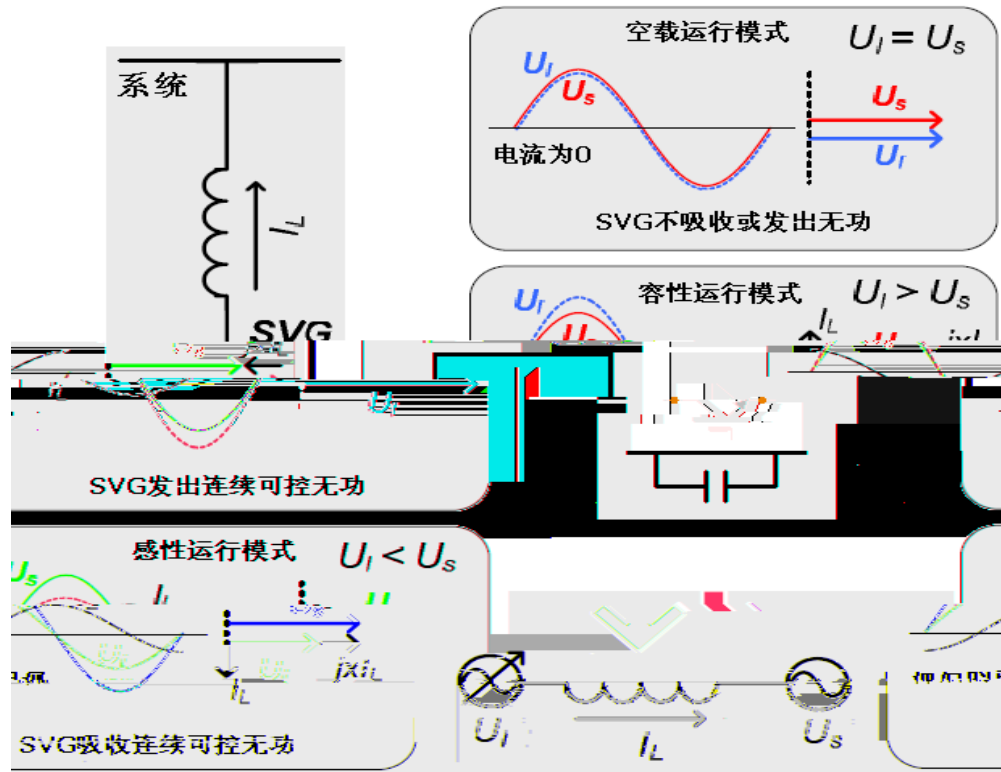
2.3

GJ;

GH5H7CA

GJ;

& %



& %GJ;

& %

$$I_1 = (U_s - U_1) \div jX_L$$

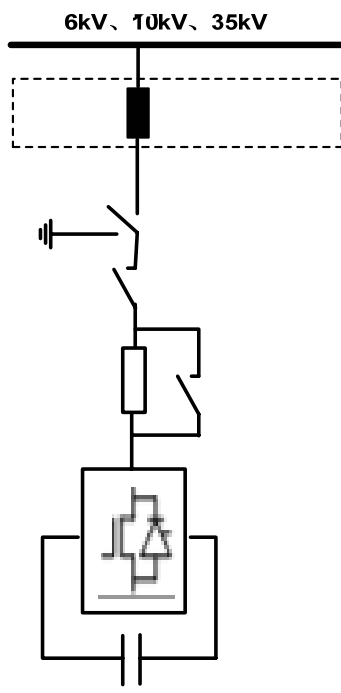
& %

2.4

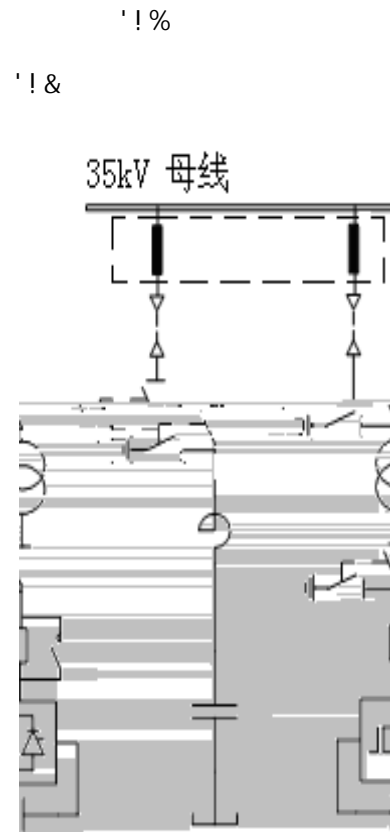
3

3.1

N ! XGJ;



' ! %



' ! &

N ! XGJ;

' !

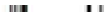
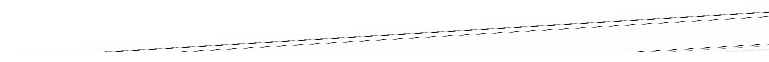
%

&

,

(

I DG



% \$kJ ')kJ

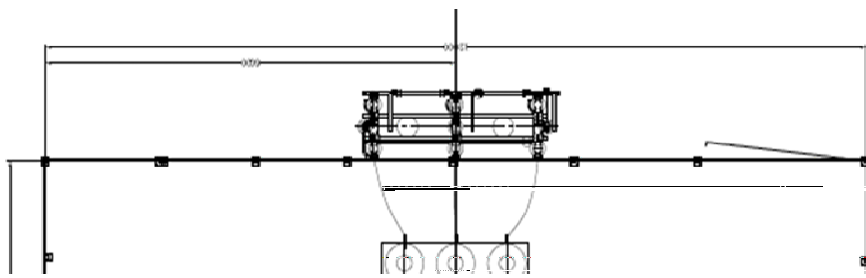
&

' :7

(:7

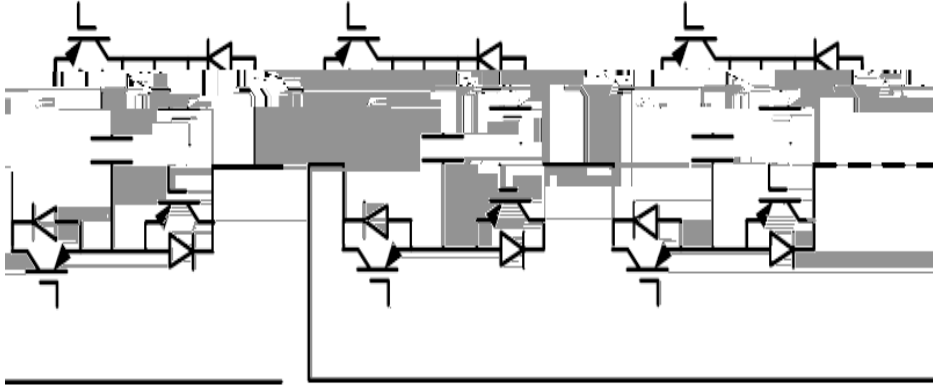
')kJ N ! XGJ;

' ! (



3.2

%



'!)

'!)

% N ! XGJ;

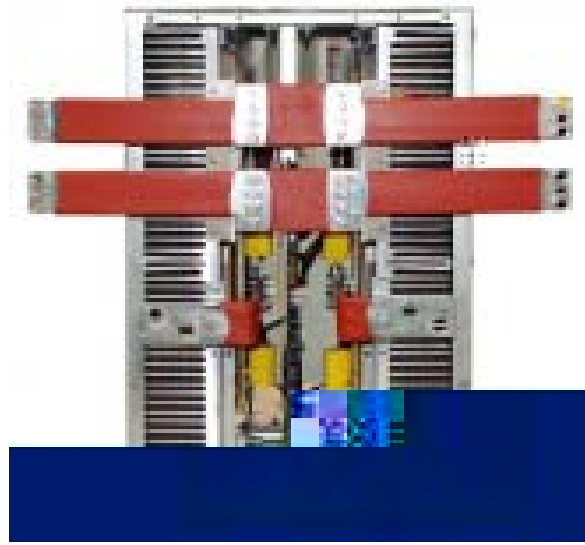
&'

' ''

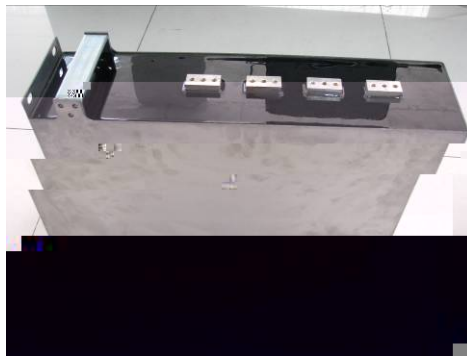
=; 6H

=; 6H

'! * '!' +



3-6



'!+

&



3-9

U

V

W

X

N ! XGJ;

8GD

: D, 5

GJ;

#

FG& &#FG(,)

75B

F>()

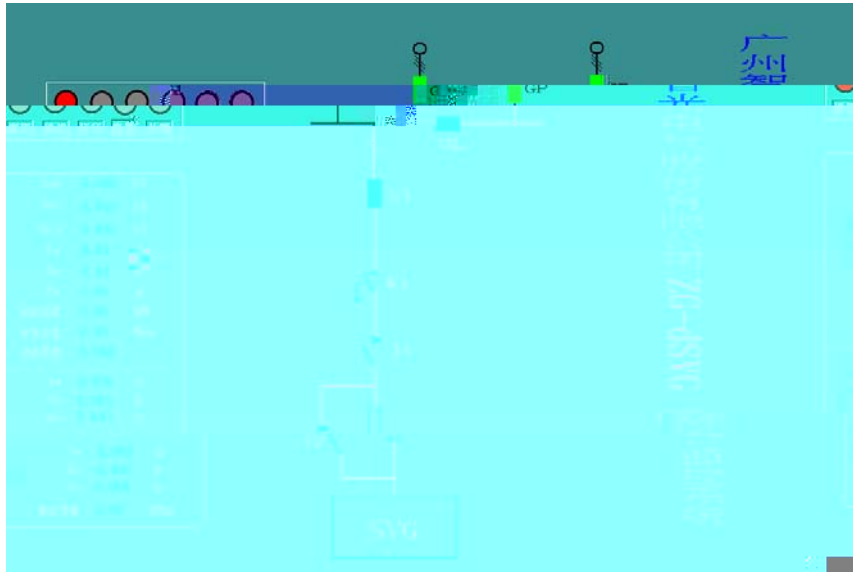
AcXVi g

Df cf] Vi g H7D#=D =97*%)\$

; DFG

; DFG

4



3-10

%

5

6

7

8

9

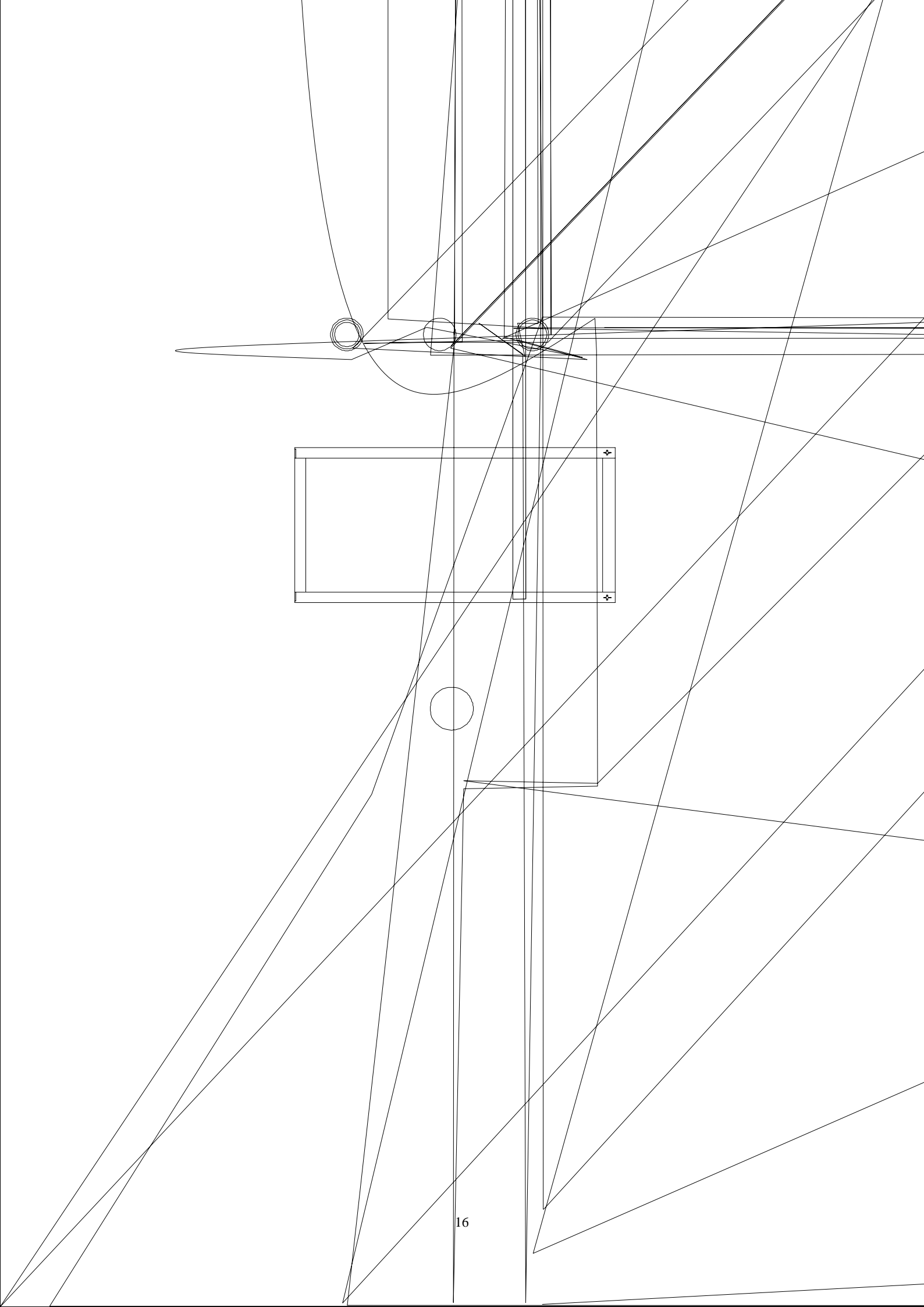
10

11

4

4.1

%



	/	

4-1

ZG-dSVG

4.3

TPC7063H

TPC7062K

FG(.)

%

&

%

&"

-\$-\$+\$

' "

4"

N ! XGJ;

5

5.1

1. 380V
2. /
- 3.
- 4.
- 5.
- 6.

5.2

1. 380V
- 2.
- 3.
- 4.
- 5.

5.3

- 1.

2.

380V

3.

4.

5.

6.

7.

5.4

1.

2.

3.

4.

3-6

5.

6.

7.

6

!%\$ fl

ł

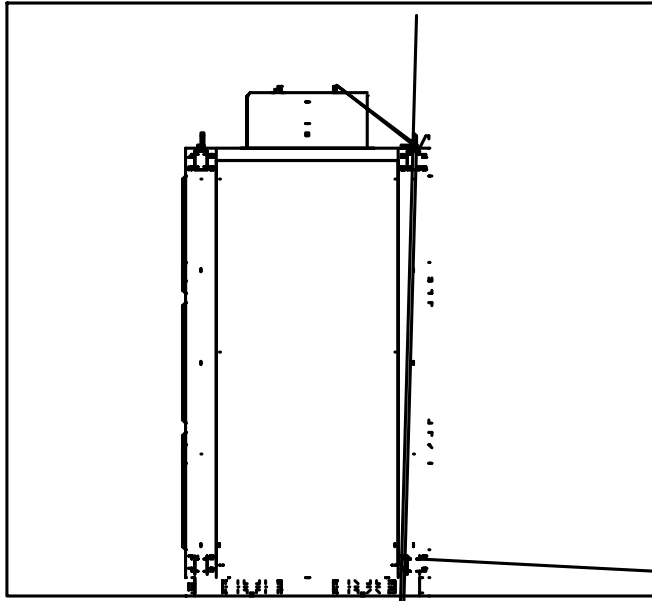
() fl

%\$

ł

)?#\

6.1



6.3

1

6.4

$$G1 = \frac{a^*}{5\%} + \frac{5\%}{5\%} \div J \quad *! \%$$

G a*

5% ()\$ %

5&)*\$ %

J &a#g

7

		2. 3.	2.
7	1/2	1. 2. 3. 4.	1. 2. 3.
8		1. 2. 3. 4.	1. 2. 3.
9		1. 2. 3. 4.	1. 2. 3.
10		1. 2. 3.	1. 2.
11		1. 2.	1. 2.
12		1. 2. 3. 4.	1. 2. 3.
13		1. UPS 2. 3. 4.	1. UPS 2. 3. 4.
14			1. 2.
15		1. 2. 3. PT 4.	1. 2. 3. PT SVG 4. PT
16	/ /	1. 2. 3.	1. 2. 3.
17		1. 2. ± 15V 3. 4.	1. 2. ± 15V 3. 4.

+! &

+! & ZG-dSVG

%		
&		
'	#	#
(
)	#	#
*		
+	#	#

8

8.1

8.2

2

3

4

5

8.5